

# VERSO POLAR

## CAMERA HOUSING FOR EXTREMELY LOW TEMPERATURE

### MAIN FEATURES

Hi-performance working down to -55°C (-67°F)

IP66/IP67 (with cable glands or optional sealing rings)

Vandalproof protection (IK10)

3 nickel-plated brass cable glands with standard bracket

Available accessories: camera power supply

### DESCRIPTION

Sturdy tamper-proof housing designed to simplify the installation and service and guarantee total protection against all environmental conditions.

This housing is provided with a high performance heating system which allows the working even at the most severe temperatures, down to -55°C (-67°F).

Entirely constructed from technopolymer, it guarantees high impact resistance, high weather protection from external agents and UV rays.

Its dimensions make it suitable for a variety of combinations of cameras and lenses.

Very easy to install thanks to the side opening system that allows the full access to the camera, lenses and all internal connections.

A wide range of accessories for mounting the equipment is available thereby satisfying all installation needs.



VERSO POLAR



VERSO POLAR

### AVAILABLE MODELS

Model Number	Sunshield	Heater 120/230Vac	Heater 12Vdc/24Vac	Max consumption
HPV42K1A160	✓	✓	–	120W
HPV42K2A160	✓	–	✓	60W

**TECHNICAL DATA**

**GENERAL**

Entirely made of technopolymer (polycarbonate)  
 Sunshield in ABS  
 RAL9002 Colour  
 Stainless steel external screws

**MECHANICAL**

Cable glands: 3xM16 (nickel-plated brass for external connections)  
 Polycarbonate window (WxH): 105x64mm (4.1x2.5in)  
 Internal usable area (WxH): 70x70mm (2.7x2.7in)  
 Internal usable length (with or without accessories): 270mm (10.6in)  
 Unit weight: 1.5kg (3.3lb)

**ELECTRICAL**

Power supply/Current consumption (version with heater, Ton 15°C±3°C (59°F ±5°F), Toff 22°C±3°C (77°F±5°F)):

- From 12Vdc to 24Vdc, 5A max
- From 12Vac to 24Vac, 5A max, 50/60Hz
- From 120Vac to 230Vac, 700mA max, 50/60Hz

Camera power supply:

- $V_{IN}$  from 100Vac to 240Vac, 50/60Hz  
 $V_{OUT}$  12Vdc, 1A
- $V_{IN}$  230Vac, 50/60Hz  
 $V_{OUT}$  24Vac, 400mA, 50/60Hz

**ENVIRONMENT**

Indoor/Outdoor  
 Operating temperature (with heater): From -55°C (-67°F) to +60°C (140°F)  
 Chemical agents resistance

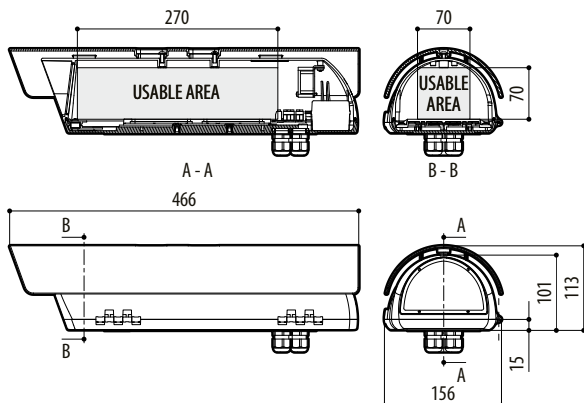
- High resistance: basics, alcohols, gas, hydrocarbon
- Good resistance: Organic acids, inorganic acids, oils
- Low resistance: Solvents

**CERTIFICATIONS**

CE: EN61000-6-3, EN50130-4, EN60950-1, EN60950-22  
 EN60529 IP66/IP67 (with cable glands)  
 EN60529 IP66/IP67 (with special gaskets and bracket with internal cable channel)  
 EN60529 IP55 (with bracket with internal cable channel)  
 Fire-self extinguish: UL94 V1  
 Impact resistance: EN62262 IK10  
 cULus Listed, TYPE 4X

**TECHNICAL DRAWINGS**

Sizes in millimeters.



VERSO POLAR

**ACCESSORIES**

OHEPS19B	Wide range camera power supply IN 100-240Vac - OUT 12Vdc, 15W, for VERSO, VERSO POLAR, VERSO COMPACT, HEG, HTG housings
OHEPS20	Camera power supply IN 230Vac - OUT 24Vac, 10VA, for VERSO, VERSO POLAR, VERSO COMPACT, HEG, HTG housings
OHEGBPS1B	Wide range camera power supply IN 100-240Vac - OUT 12Vdc in weatherproof box, 15W, for VERSO, VERSO POLAR, HEG, HTG housings
OHEGBPS2B	Camera power supply IN 230Vac - OUT 24Vac in weatherproof box, 10VA, for VERSO, VERSO POLAR, HEG, HTG housings
OWBIP2	Sealing rings kit (3xM16) IP66/IP67 for WBOVA2 and WCM4A2 brackets for PUNTO, HOV, HTV, HTC, VERSO, VERSO POLAR, VERSO COMPACT, HEB, HEK housings
OHEGBB	Weatherproof junction box
OSUPPIR	Bracket for mounting 1 GEKO IRH illuminator under the housing

**BRACKETS AND ADAPTORS**

WBJA	Wall mount
WBOVA2	Wall bracket with internal cable channel
WBOV3A2	Wall bracket with internal cable channel, counterplate and support box, not compatible with OHEBVF1, OHEBVF2 and OHEBVF3
WCM3A	Ceiling bracket with ball joint
WCM5A	Ceiling bracket with ball joint
WCM4A2	Ceiling bracket with internal cable channel
WFWCA	Column bracket with joint

**SPARE PARTS**

OHPVS42A000	Sunshield
DOTHPV04	Cable glands, screws and spacers for camera and lens
OHPV42CS04	Complete upper body

**PACKAGE**

Model Number	Weight	Dimensions (WxHxL)	Master carton
HPV42K1A160	1.8kg (4lb)	16.5X15.5X49cm (6.5x6.1x19.3in)	10